



Kwikset Kingston Lever Handicap Commercial Series With a Storeroom / Vestibule Function



Kingston Design

KW750KNLX26D

Brushed Chrome Finish

Features:

Meets A.D.A. requirements. Comes with a 2-3/8" backset latch. 2-3/4" backset latch available. Non-handed. Grade 2 Lock.



Meets Americans with Disabilities Act (A.D.A.) Requirements

Brush Chrome Finish.

Storeroom Fuction:

Outside always locked and the inside always free (open). Key outside retracts latch.

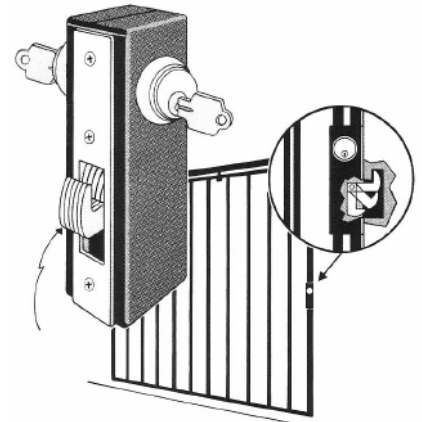


Hook Locks

Ideal For Sliding gates or Double Gates Schlage or Kwikset key-ways. 13/16" Throw



Single T-Turn Cylinder



Double Cylinder

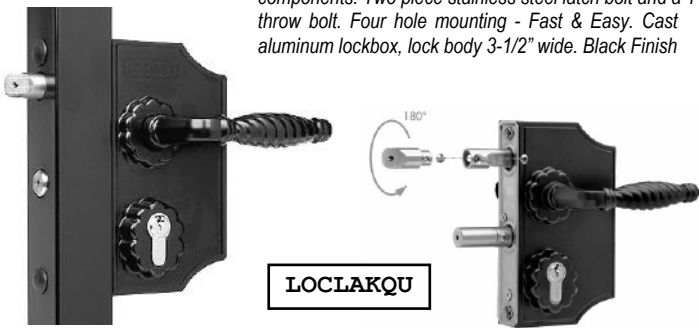
Box Size:
1-3/4" W. x 2" D. X 7" H.

Part #	Cylinder(s)	Keyway Description
JSLH106	Double Cylinder	Kwikset Keyway
JSLH106SCH	Double Cylinder	Schlage Keyway
JSLH106T	Single Cylinder W / T-Handle	Kwikset Keyway
JSLH106TSCH	Single Cylinder W / T-Handle	Schlage Keyway

Swinging Gate Lock



Left /Right hand reversible. Stainless steel internal components. Two piece stainless steel latch bolt and a 1" throw bolt. Four hole mounting - Fast & Easy. Cast aluminum lockbox, lock body 3-1/2" wide. Black Finish

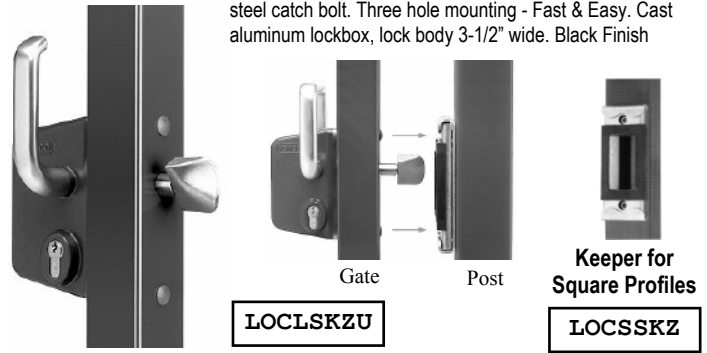


LOCLAKQU

Sliding Gate Lock



Stainless steel internal components. Two piece stainless steel catch bolt. Three hole mounting - Fast & Easy. Cast aluminum lockbox, lock body 3-1/2" wide. Black Finish



LOCLSKZU

Keeper for Square Profiles

LOCSSKZ

Import Single Cylinder Deadbolt With 1" Throw



Lock Boxes Available on pages 22

Import Double Cylinder Deadbolt With 1" Throw



Hidden Screw Feature

Lock Boxes Available on pages 22

Import Passage Lever Non-locking Passage Only



Marquis Design Lever

Lock Boxes Available on pages 22

Import Passage Lever Non-locking Passage Only



Delta Design Lever

Lock Boxes Available on pages 22

Part #	Finish	Backset
JSSCX3	Bright Brass	2-3/8"
JSSCX5	Antique	2-3/8"

Part #	Finish	Backset
JSDCX3	Bright Brass	2-3/8"
JSDCX5	Antique	2-3/8"

Part #	Finish	Backset
JSLHMX3	Bright Brass	2-3/8"
JSLHMX5	Antique	2-3/8"

Part #	Finish	Backset
JSLHGX3	Bright Brass	2-3/8"
JSLHGX5	Antique	2-3/8"