

Goose Neck for Access Control Devices Powered Coated Black Finish



4" x 4" Mounting Plate For Access Device

Made from 2" x 2" x .120 ga
44" High
13" Sweep
5" x 5" Base Plate With Cover

GOOSENECK

Sub Surface Mount

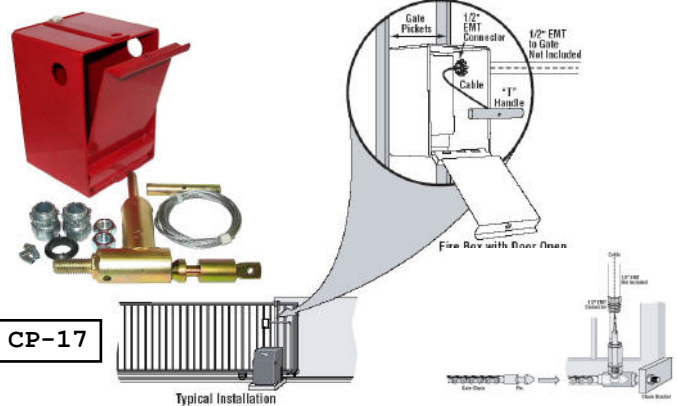
Made from 2" x 2" x .120 ga
72" High - 13" Sweep

GOOSENECKBURIAL



Fire Release Box (With Steel Cable Release)

CP-17 consists of a plated box, with doors on the front and back. The doors can be locked with your own padlock, or the Fire Dept's padlock. The fire box would be fixed to the gate pickets. It can be opened from either side of the gate. A steel cable with a T-handle runs from the box to the release mechanism at the rear end of the chain. When you pull the T-handle you release the chain.



CP-17

Typical Installation

FireAccess Station for Knox Lock Key Switch

The FireAccess station for Knox Lock Key Switch can be post mounted for easy access. This model features a heavy metal, powder coated enclosure. Faceplates on the FireAccess station only come in a bright red finish for easy identification by the fire department. The FireAccess station is a stand alone unit, allowing the convenience of installation wherever they may be required.



5-1/4" H. x 4-3/4" W.
x 4-1/2" D. (Top)

DK1401-080

Function: This model is designed to be used with a Knox Key switch. Please consult your local Fire Dept. for more details.

FireAccess Station Box with Micro Switch

The FireAccess station with Micro Switch can be post mounted for easy access. This model features a heavy metal, powder coated enclosure. Faceplates on the FireAccess station only come in a bright red finish for easy identification by the fire department. The FireAccess station is a stand alone unit, allowing the convenience of installation wherever they may be required.



5-1/4" H. x 4-3/4" W.
x 4-1/2" D. (Top)

DK1400-080

Micro switch mounted inside. Activates when door is opened.

Function: Secured with a padlock. The Micro Switch is activated when the padlock is removed and the front panel is opened.



Fire Strobe 2000 Emergency Vehicle Strobe Detector

The Fire Strobe 2000 provides rapid access to automatic gates and secured areas. It opens gates when activated by an emergency vehicle equipped with the standard operational strobe. Weather-proof enclosure with control board included. Optional tester is available below. The most common frequency for the Fire Strobe is (14Hz).

Rapid Detection of any Emergency Strobe

- * Fire * Paramedics * Police * 100% Digital
- * 911 Response Vehicles * Double / Quad Flash Strobes



Fire Strobe 2000



Control Board With
Weather-Proof Box
8" x 8" x 4" D.



Optional Tester For
Fire Strobe 2000

Auxiliary Transformer Box

The 1200 transformer box is a great way to provide a power source for accessory transformers used with access control systems. • Lockable transformer box • Holds up to four 20 VA transformers • Indoor or outdoor use • ETL Listed



DK1200-080

6" H. X 11-1/4" W. X 4.625" D.

1402 Postal Lock Box

DKS Lock Boxes provide Postal Carriers access through automated gates or doors for postal personnel. The postal lock box accepts the standard postal key lock. Postal lock boxes do not include the postal key lock. These must be procured from the respective authority.



DK1402-080

- * 14 gauge steel cabinet painted postal blue.
- * Built-in switch for gate/door activation.
- * Designed to accept standard postal key lock (not supplied).
- * Dimensions: 6.5" H. x 5" W. x 2.375" D.

Seven Day Timer

The DTM-9 allows you to program your overhead doors, gates, and parking barriers for heavy traffic flow and lock-out times.

- * Large Display And Control Buttons.
- * Rechargeable back-up battery.
- * Program six different events per week.
- * Manual override for ON or OFF operation.
- * Allows you to program the lock out times for your doors with magnetic locks and electric strikes.
- * Power Supply: 24V.



7DAY TIMER