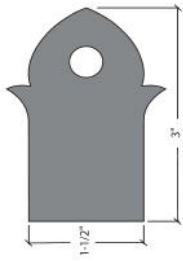


### 1 Hole Weld Tabs 3/16" Thick - 7/16" Dia. Hole



1-1/2" W. x 3" H.

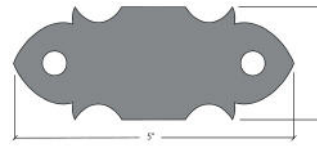
**FSWT1**



2" W. x 3" H.

**FSWT2**

### 2 Hole Base Plates 3/16" Thick - 7/16" Dia. Hole



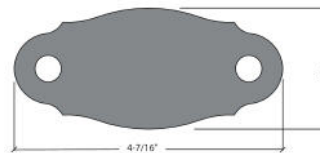
5" W. x 2" H.

**FSBP1**



5" W. x 2" H.

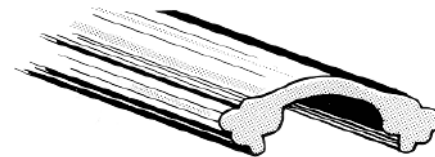
**FSBP2**



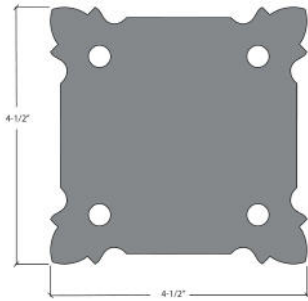
4-7/16" W. x 2" H.

**FSBP3**

*This Two Hole Plate Works Well With Molded Cap Rail*

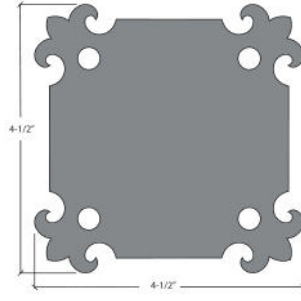


### 4 Hole Base Plates 3/16" Thick - 7/16" Dia. Hole



4-1/2" W. x 4-1/2" H.

**FSBP4**

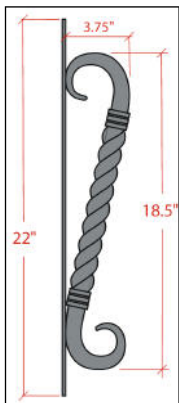


4-1/2" W. x 4-1/2" H.

**FSBP5**

## Forged Steel Door Pulls -

Welded to a 3/16" Thick Door Plate- with (6) 3/16" Dia. Mounting Holes



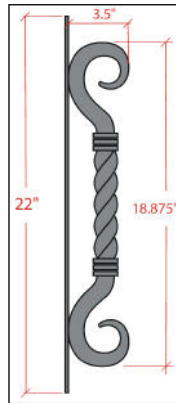
**FSDP1**

**Door Pull**  
Made From 1" Solid Forged Steel, Twisted, Scrolled, & Welded to a Decorative Door Plate



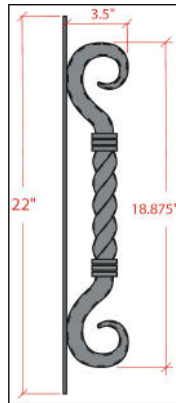
**FSDP1H**

**Door Pull**  
Made From 1" Hammered Solid Forged Steel, Twisted, Scrolled, & Welded to a Decorative Door Plate



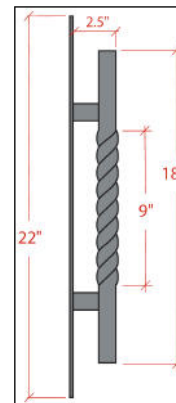
**FSDP2**

**Door Pull**  
Made From 1" Solid Forged Steel, Twisted, Scrolled, & Welded to a Decorative Door Plate



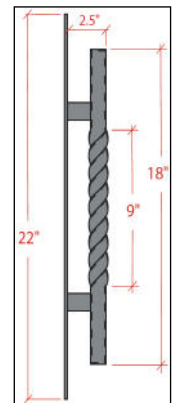
**FSDP2H**

**Door Pull**  
Made From 1" Hammered Solid Forged Steel, Twisted, Scrolled, & Welded to a Decorative Door Plate



**FSDP3**

**Door Pull**  
Made From 1" Solid Forged Steel, Twisted Then Welded to a Decorative Door Plate



**FSDP3H**

**Door Pull**  
Made From 1" Hammered Solid Forged Steel, Twisted Then Welded to a Decorative Door Plate